

CLM 1+

crealev.

Crealev BV | Klokggebouw 170 | 5617 AB Eindhoven | The Netherlands | T +31(0)40 8519 040 | E crealev@crealev.com

www.crealev.com

Levitation Module

CLM 1+ Crealev Levitation Module



TECHNOLOGY BY crealev.

Description CLM 1+

The CLM 1+ is a levitation device which consists out of 2 parts; a base module and a carrier. The base module is the octagonal non-floating part which contains the technology. It has an optical sensor and needs electric power. The floating part is a magnet disc, which is called the carrier. The carrier serves as a floating plateau on which you can put an object. It can also be integrated into the presentation object.

The CLM 1+ has a maximum levitation height of 45 mm and is capable of carrying loads up to 1 kg.

Specs

Carrier (floating disc):

Height: 13 mm (0.5")
Diameter: 124 mm (4.9")
Weight: 320 gr (0.7 Lb)

Module (base):

Height: 15 mm (0.6")
Width/Length: 202 mm (7.9")
Weight: 1500 gr (4.9 Lb)

CLM 1+ MAIN FEATURES

- High levitation height
- Excellent stability
- Easy to operate
- Robust optical sensing system
- Power efficient
- Ability to carry large loads

The CLM 1+ is activated by inserting the powerplug into the mains. Hold the carrier, with its rubber side down, on the top of your fingertips. Hold it over the base and center it straight above the sensor until "lock" occurs and release the carrier. The presentation object can be placed on top of the carrier. Keep the center of gravity in the middle and as low as possible to acquire an optimal levitation set-up.

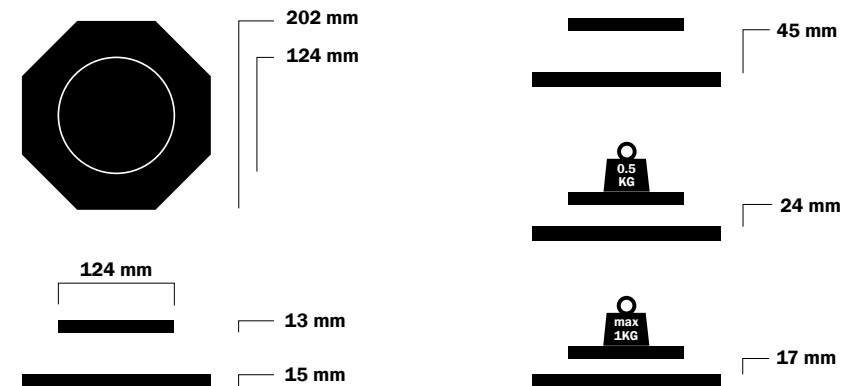
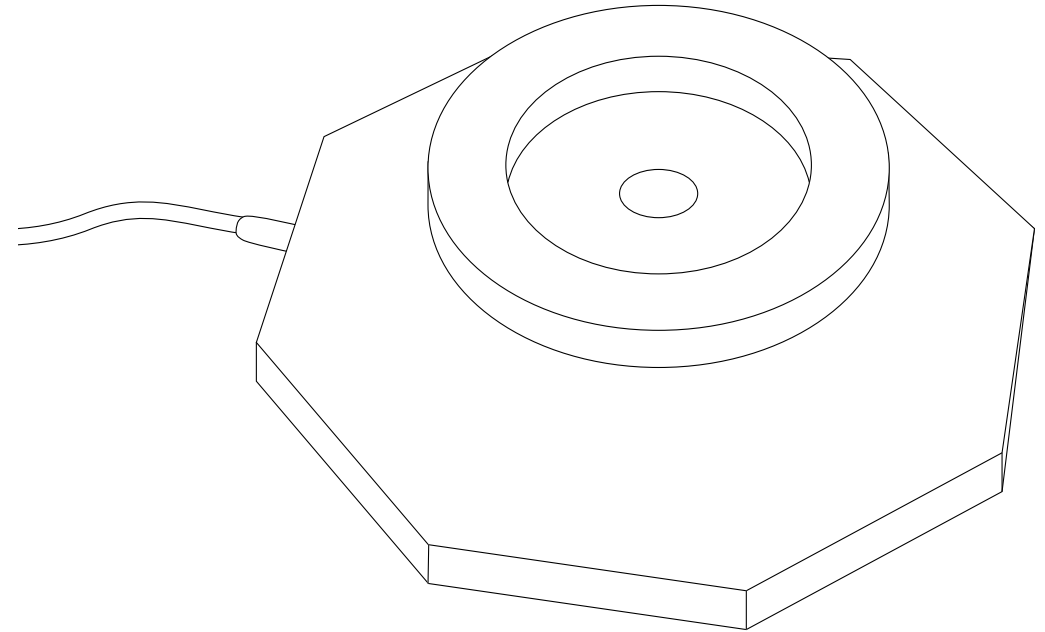
ELECTRICAL REQUIREMENTS & SAFETY

Connection: Two-pin EU standard electrical plug (US powerplug optional)

Adaptor Voltage input (AC): 100-240V Voltage output: 18V Current: 2A peak

Power consumption (rest position): <4 W

Both carrier and base contain powerful magnets, therefore Crealev advises to keep magnetic sensitive devices such as credit cards at a minimum distance of 25 mm (1") from the device.



Load - Levitation Height

| | |
|----------------------------|--------------|
| 0 grams (0 Lb) | 45 mm (1.8") |
| 500 grams (1.6 Lb) | 24 mm (0.9") |
| 1000 grams / 1 Kg (3.3 Lb) | 17 mm (0.7") |